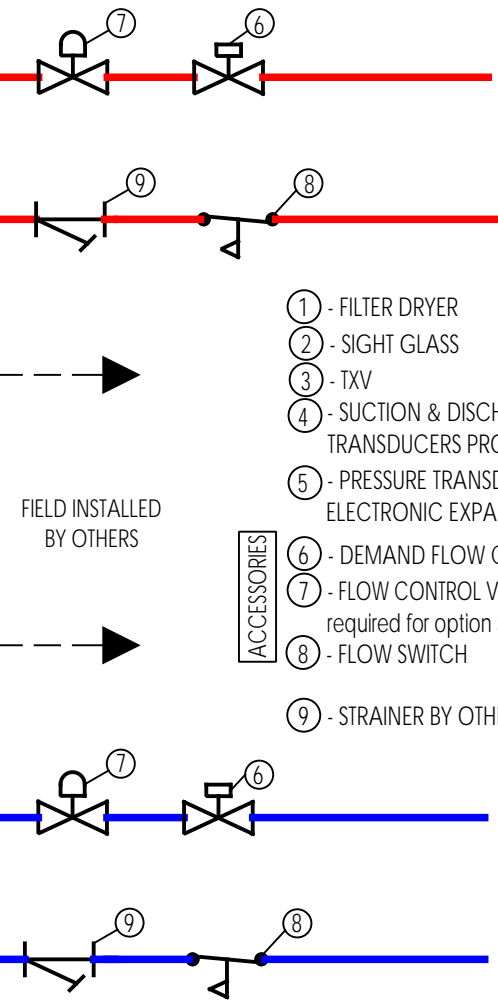
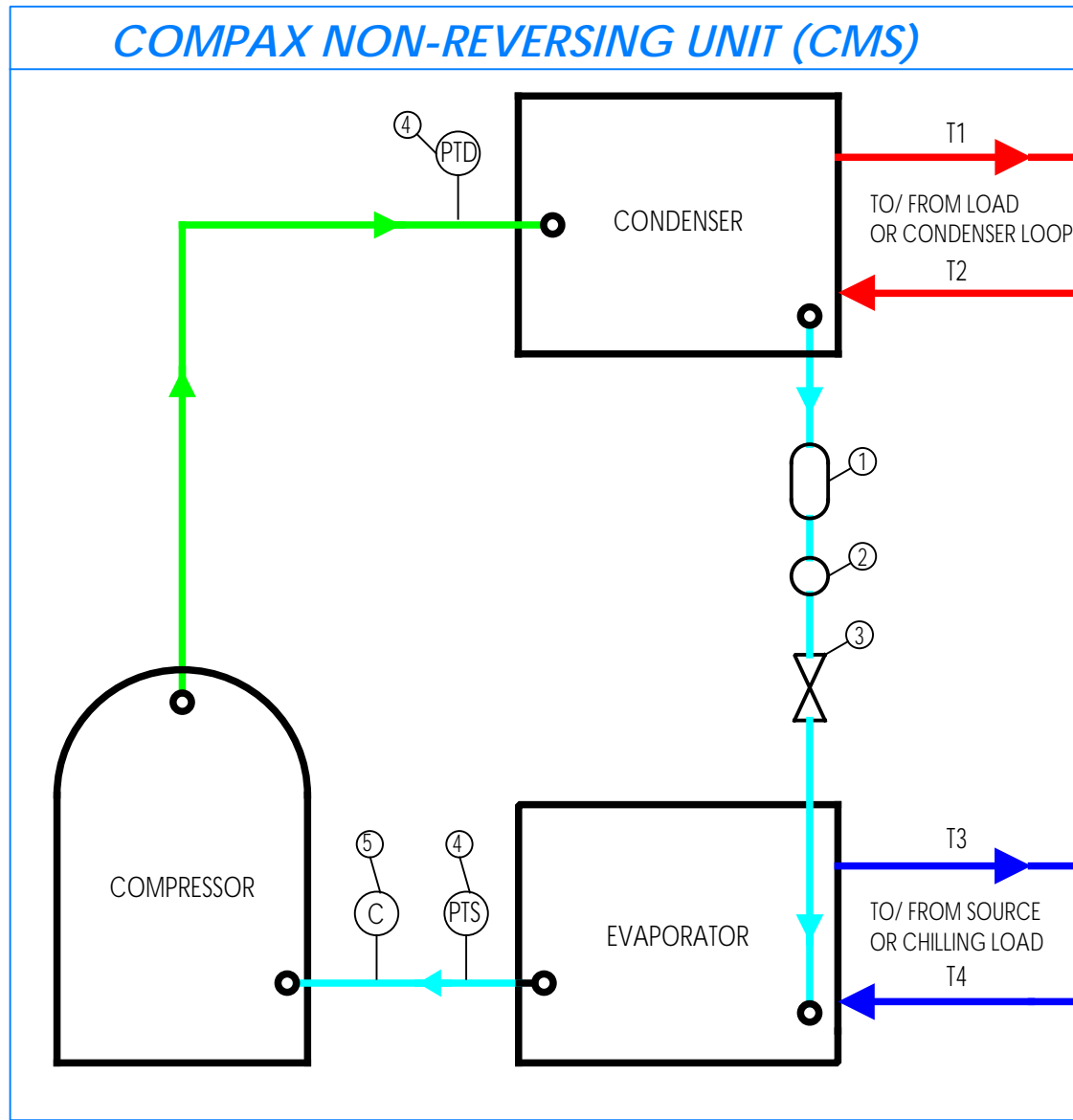


COMPAX NON-REVERSING UNIT (CMS)



- ① - FILTER DRYER
- ② - SIGHT GLASS
- ③ - TXV
- ④ - SUCTION & DISCHARGE PRESSURE TRANSDUCERS PROVIDED WITH OPTION 325
- ⑤ - PRESSURE TRANSDUCER PROVIDED WITH ELECTRONIC EXPANSION VALVE (OPTION 313)
- ⑥ - DEMAND FLOW CONTROL VALVE (ON/OFF)
- ⑦ - FLOW CONTROL VALVE (MODULATING)- required for option 325
- ⑧ - FLOW SWITCH
- ⑨ - STRAINER BY OTHERS

FIELD INSTALLED BY OTHERS

ACCESSORIES

SINGLE COMPRESSOR CIRCUIT SHOWN

DUAL COMPRESSOR CIRCUITS ARE EACH THE SAME AND SHARE THE SAME WATER CONNECTIONS. ITEMS 6,7 AND 8 ARE ACCESSORIES, FIELD INSTALLED AND WIRED BY OTHERS.



ALL INFORMATION CONTAINED IN THIS DRAWING IS THE SOLE PROPERTY OF CGC Group, and REPRODUCTION IN PART OR AS A WHOLE WITHOUT THE WRITTEN PERMISSION OF CGC Group IS PROHIBITED.

NAME:	DATE (MM/DD/YYYY):
F.S.	09/22/2021
CHECKED:	

TITLE:	NON -REVERSING COMPAX (CMS) Piping Schematic
SCALE:	NTS
SHEET 1 OF 1	