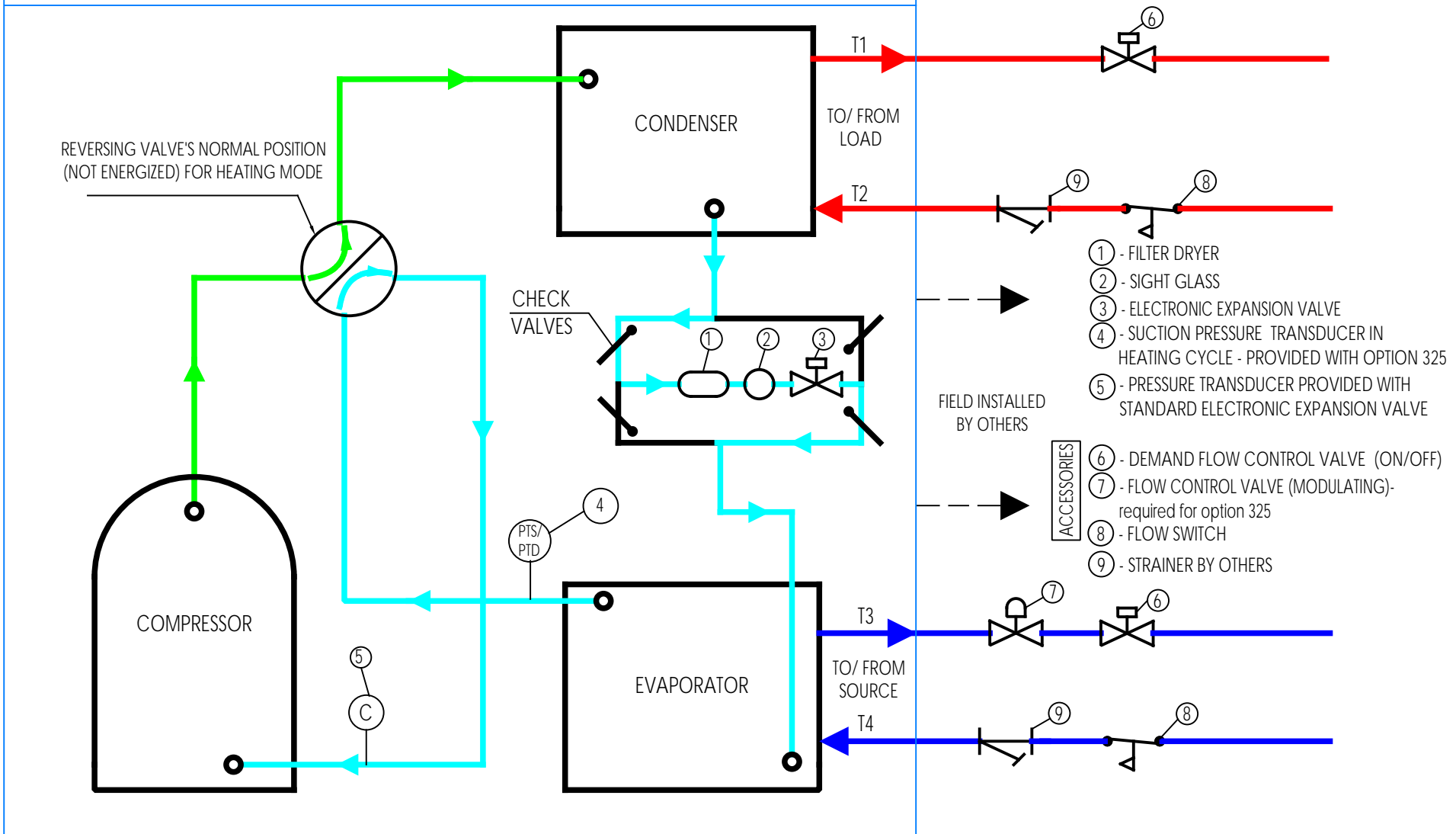


# COMPAX REVERSING UNIT IN HEATING MODE (CMM)



SINGLE COMPRESSOR CIRCUIT SHOWN  
 DUAL COMPRESSOR CIRCUITS ARE EACH THE SAME AND SHARE THE SAME WATER CONNECTIONS.  
 ITEMS 6,7 AND 8 ARE ACCESSORIES. FIELD INSTALLED AND WIRED BY OTHERS

	<small>THE INFORMATION CONTAINED IN THIS DRAWING IS THE SOLE PROPERTY OF CGO GROUP. ANY REPRODUCTION OR DISSEMINATION WITHOUT THE WRITTEN PERMISSION OF CGO GROUP IS PROHIBITED.</small>		NAME: _____ DATE: 09/22/2021	TITLE: REVERSING COMPAX (CMM) Piping Schematic - Heating Mode
	DRAWN: F.S. CHECKED: _____	SCALE: NTS	SHEET 1 OF 1	