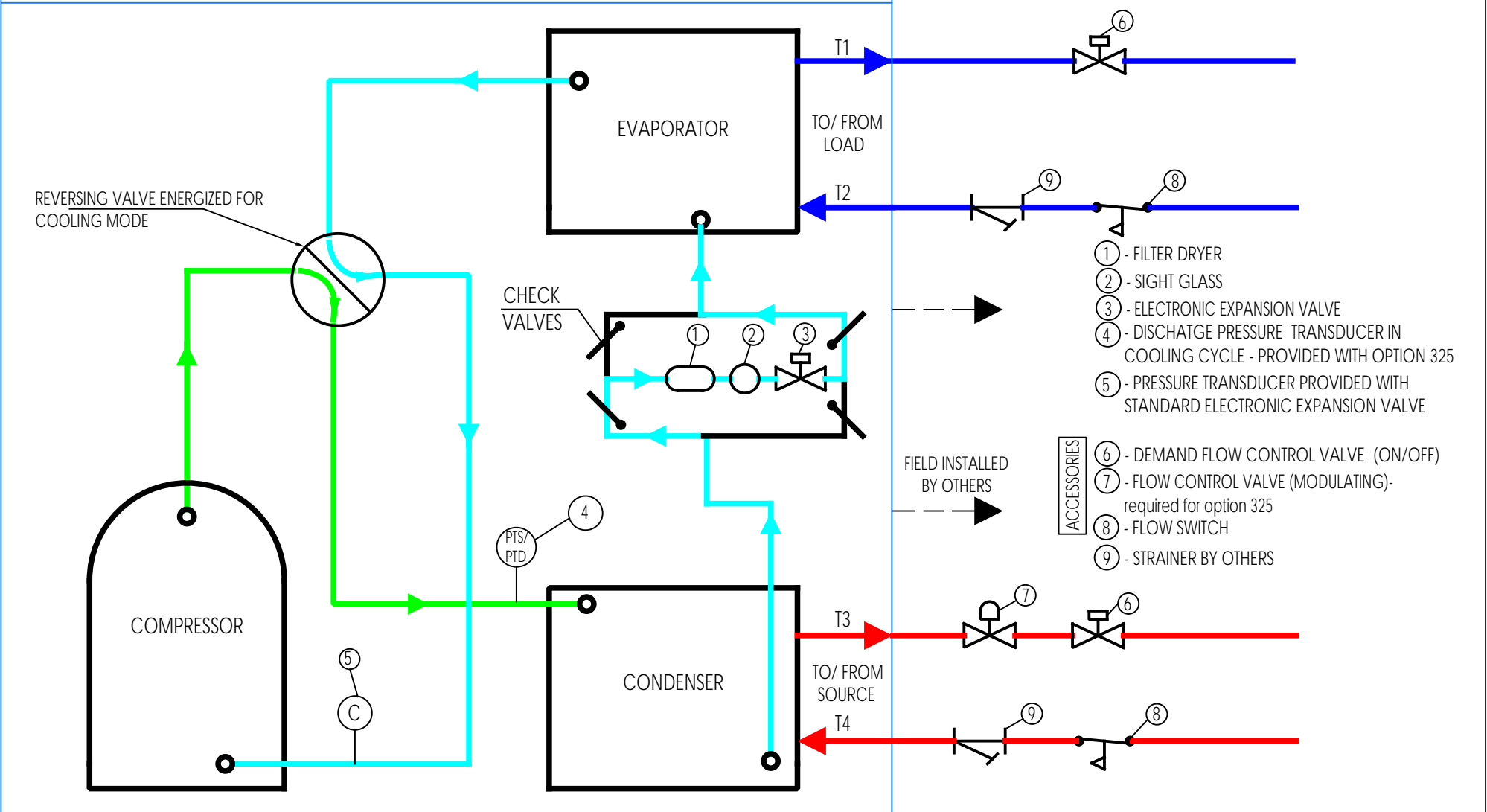


COMPAX REVERSING UNIT IN COOLING MODE (CMM)



SINGLE COMPRESSOR CIRCUIT SHOWN

DUAL COMPRESSOR CIRCUITS ARE EACH THE SAME AND SHARE THE SAME WATER CONNECTIONS.

ITEMS 6,7 AND 8 ARE ACCESSORIES. FIELD INSTALLED AND WIRED BY OTHERS



ALL INFORMATION CONTAINED IN THIS DRAWING IS THE SOLE PROPERTY OF CGC Group, and REPRODUCTION IN ANY MANNER WITHOUT THE WRITTEN PERMISSION OF CGC Group IS PROHIBITED.

NAME:	DATE (MM/DD/YYYY):
F.S.	09/22/2021
CHECKED:	

TITLE:	REVERSING COMPAX (CMM)
	Piping Schematic - Cooling Mode
SCALE: NTS	SHEET 1 OF 1