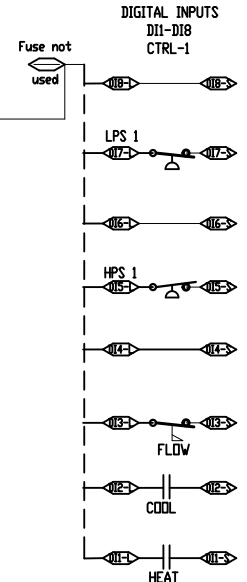
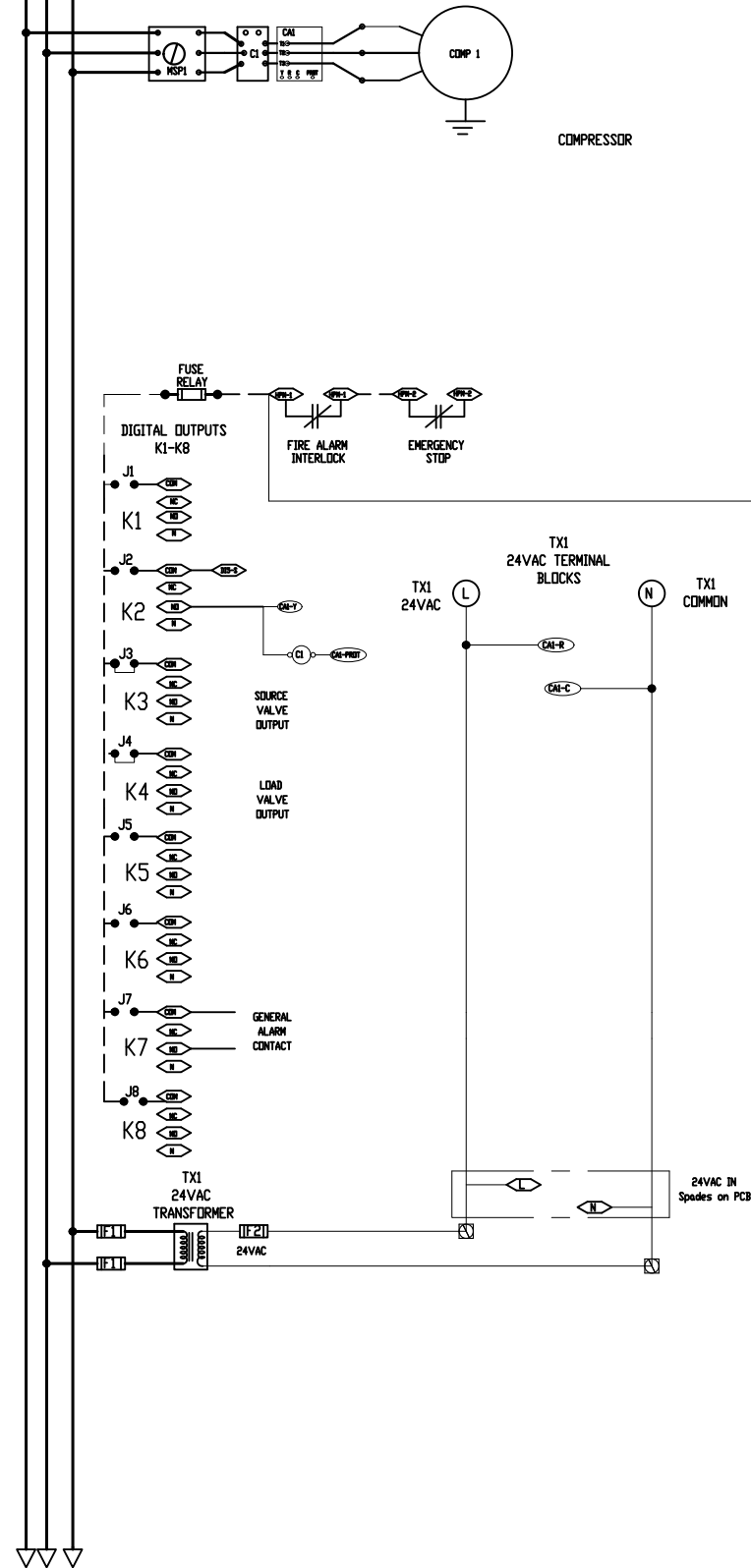
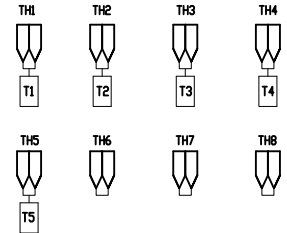


L1 L2 L3

Single Compressor Unit

RS485
CTRL-1
A
B
RS-485 COMM.
CONNECTIONS

ANALOG INPUTS
TH1-TH8
CTRL-1



FUSE CHART			
NAME	TYPE	VALUE	USE
F1	LPCC	0.5 A	TX1 Primary
F2	LPCC	3.0 A	TX2 Secondary
F3	NA	NA	NA
F4	NA	NA	NA
F5	NA	NA	NA
RELAY	ATI	3.0 A	PCB Fuses

Motor Starter Protection	MSPx	PCB Trace	---	Liquid Temp Thermistor	LTix
Comfort Alert Module	CAx	PCB Spade Terminal	<X>	Comp. Prot. Module Terminal	PRM1
Contactors	Cx	Screw Terminal	⊠	Fuse	- □
Compressor	COMPx	Crankcase Heater	- / /	EXP Pressure Transducer	PRC TRM
Comp. Protection Module	PROTx	Comfort Alert Terminal	⊙	EXT Temperature Sensor	TEMP SENS
Line Voltage	Lx	Contactors Coil	<C>	EXS Stepper Motor Terminal	X
Transformer	TXx	Fluid Temp Thermistor	Tx	Wired By Others	.
Superheat Controller	EXC	Hot Gas Temp Thermistor	Ghx	Female PCB Spade Terminal	<◇>
Thermistor/Analog Input	THx	Source Pressure Transducer	SPTx		
Line Voltage Wires (Factory)		Load Pressure Transducer	LPTx		
CTRL Voltage Wires (Factory)		Suction Temp Thermistor	SUCx		

THERMISTOR LEGEND	
T1	Load out
T2	Load in
T3	Source out
T4	Source in
T5	Hot gas 1
T6	Hot gas 2

PROJECT	
TITLE	Generic Wiring Diagram
CONTROLLER	FLEX
DATE	
DWG. NO.	